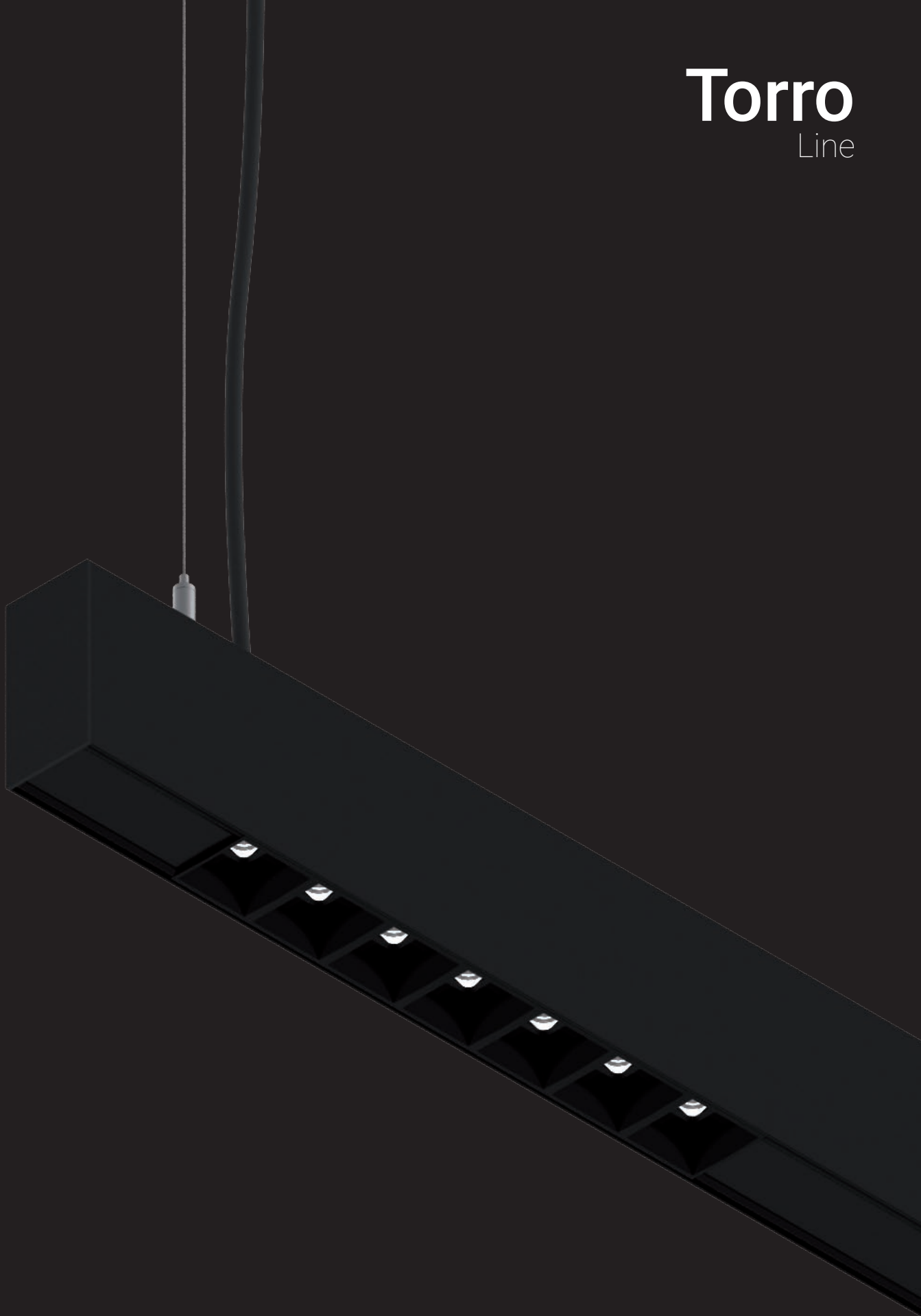


Torro

Line



Our mission is healthy light.

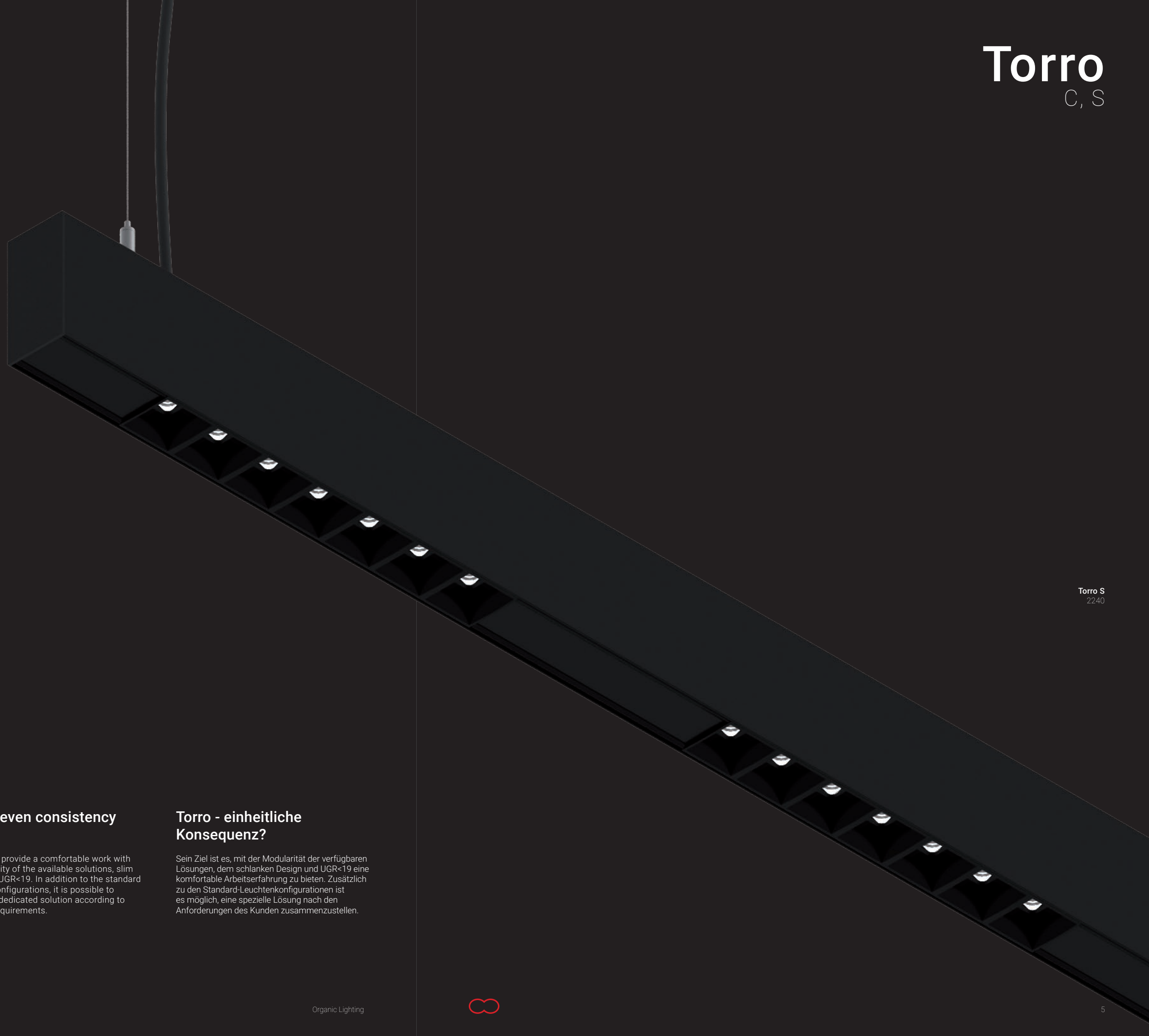
We create human and environment – friendly solutions: natural, comfortable to the eye, rendering genuine colours. We believe in timeless and universal aesthetics. We design lamps that are minimalist in their form, and which can complement both traditional and modern architecture. To draw up custom designs, we approach each interior from a fresh perspective.

Quality is at the core of our work. All of our products are manufactured in our own factory in Tarczyn, with the help of a team of lighting experts – technology and product engineers. For 20 years, we have completed a plethora of projects, and each of them represents how we understand the culture of light and the way light can be experienced in space. When considering the role of light in contemporary architecture, one cannot disregard the history of Bauhaus. The school, or rather a free, creative collective of architects, artists and artisans, is celebrating its centenary year.

Light was of the building blocks of architecture in Modernism. In those times, as a result of technological progress electric light became just as important building material as concrete or steel. Shaping the experience of space through artificial light in buildings was an entirely new challenge for Bauhaus architects and designers. Their avant-garde approach to materials and forms, combined with the consolidation of modernist standards in terms of aesthetics and form in the middle of the 20th century, became the foundation for contemporary design.

Today, when looking at Infinite numbers of light fixtures and lamps, it is easy to forget that today's lighting culture has its roots in the school of Bauhaus and owe sit its shape.





Torro S
2240

Torro – równomierna konsekwencja

Jej zdaniem jest zapewnienie komfortowej pracy przy modułowości dostępnych rozwiązań, smukłej konstrukcji i UGR<19. Oprócz standardowych konfiguracji oprawy istnieje możliwość skomponowania dedykowanego rozwiązania pod wymogi klienta.

Torro - even consistency

Its aim is to provide a comfortable work with the modularity of the available solutions, slim design and UGR<19. In addition to the standard luminaire configurations, it is possible to compose a dedicated solution according to customer requirements.

Torro - einheitliche Konsequenz?

Sein Ziel ist es, mit der Modularität der verfügbaren Lösungen, dem schlanken Design und UGR<19 eine komfortable Arbeitserfahrung zu bieten. Zusätzlich zu den Standard-Leuchtenkonfigurationen ist es möglich, eine spezielle Lösung nach den Anforderungen des Kunden zusammenzustellen.

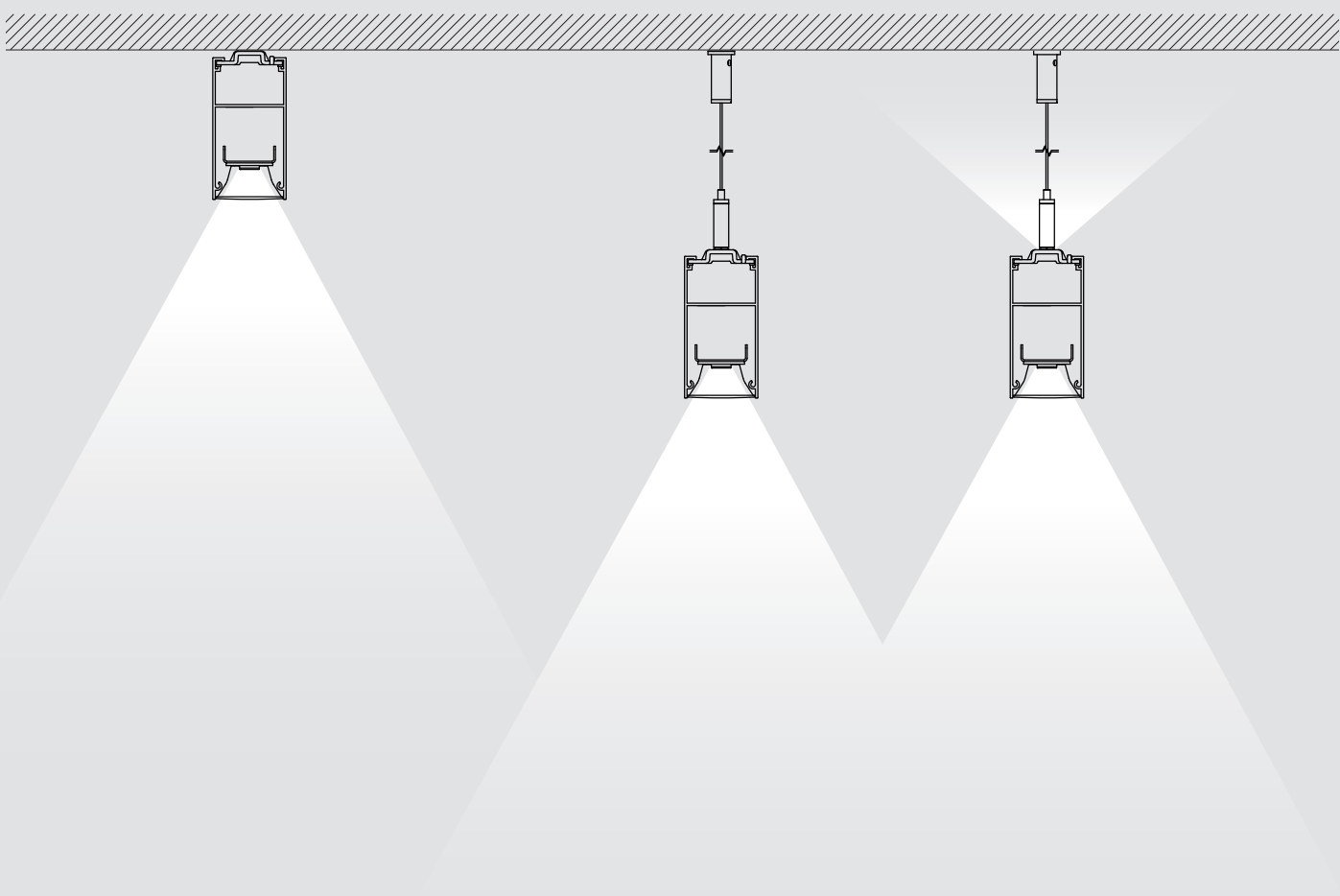


Torro

C, S

Torro C
Nabudowany / Ceiling / Anbau

Torro S
Zwieszany / Suspended / Abgependelt



Dwa warianty montażowe.

Unikatowy system zawiesi daje duże możliwości aranżacji zawieszenia oprawy do sufitu.

Two installation variants

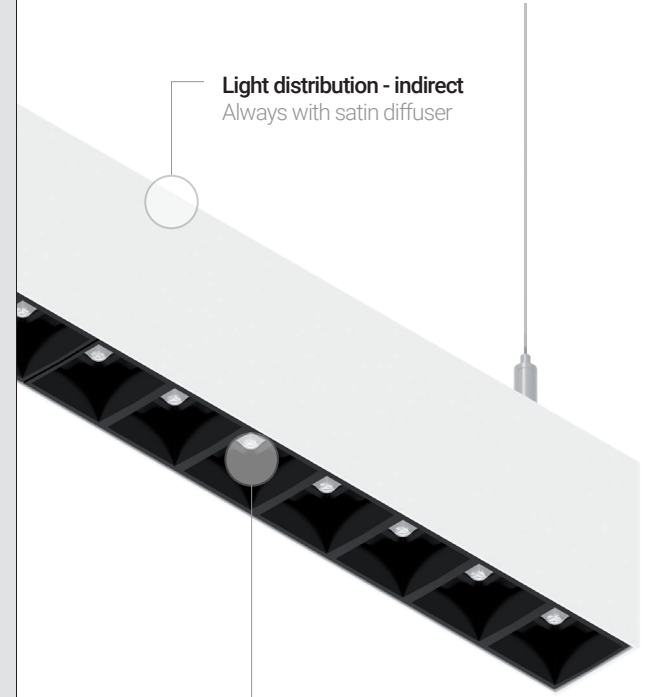
The unique suspension system provides extensive possibilities for arranging the suspension of the luminaire to the ceiling.

Zwei Montage Varianten.

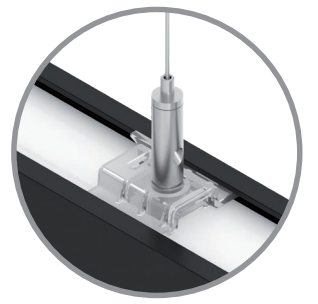
Das einzigartige Abhängesystem bietet umfangreiche Möglichkeiten, die Aufhängung der Leuchte an der Decke zu gestalten.



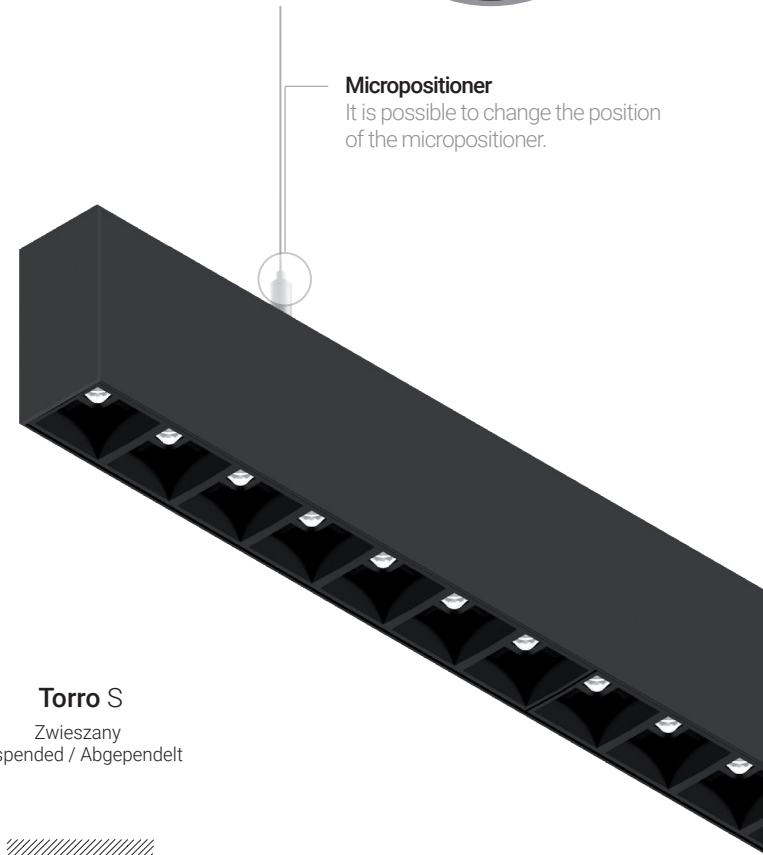
Light distribution - indirect
Always with satin diffuser



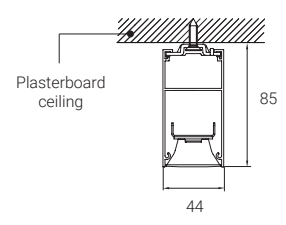
Louver
Anti-glare black louver



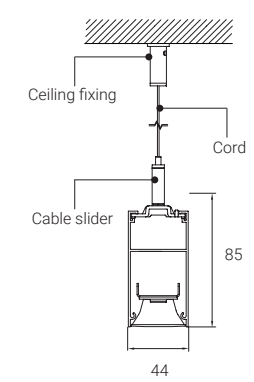
Micropositioner
It is possible to change the position of the micropositioner.



Torro C
Nabudowany
Ceiling / Anbau



Torro S
Zwieszany
Suspended / Abgependelt



Micropositioner
It is possible to change the position of the micropositioner.

Magnetic holder
Magnetic holder holding down the radiator and other accessories together

LED module
LED module on an aluminum base designed specifically by ILUM.

Optics
Lenses connected in series

Louver
Anti-glare black louver



Technologia

Wysokosprawny układ optyczny zapewnia skuteczność świetlna lampy nawet do 145 Lm/W .

Technology

The high-performance optics provide luminous efficacy up to 145lm/W.

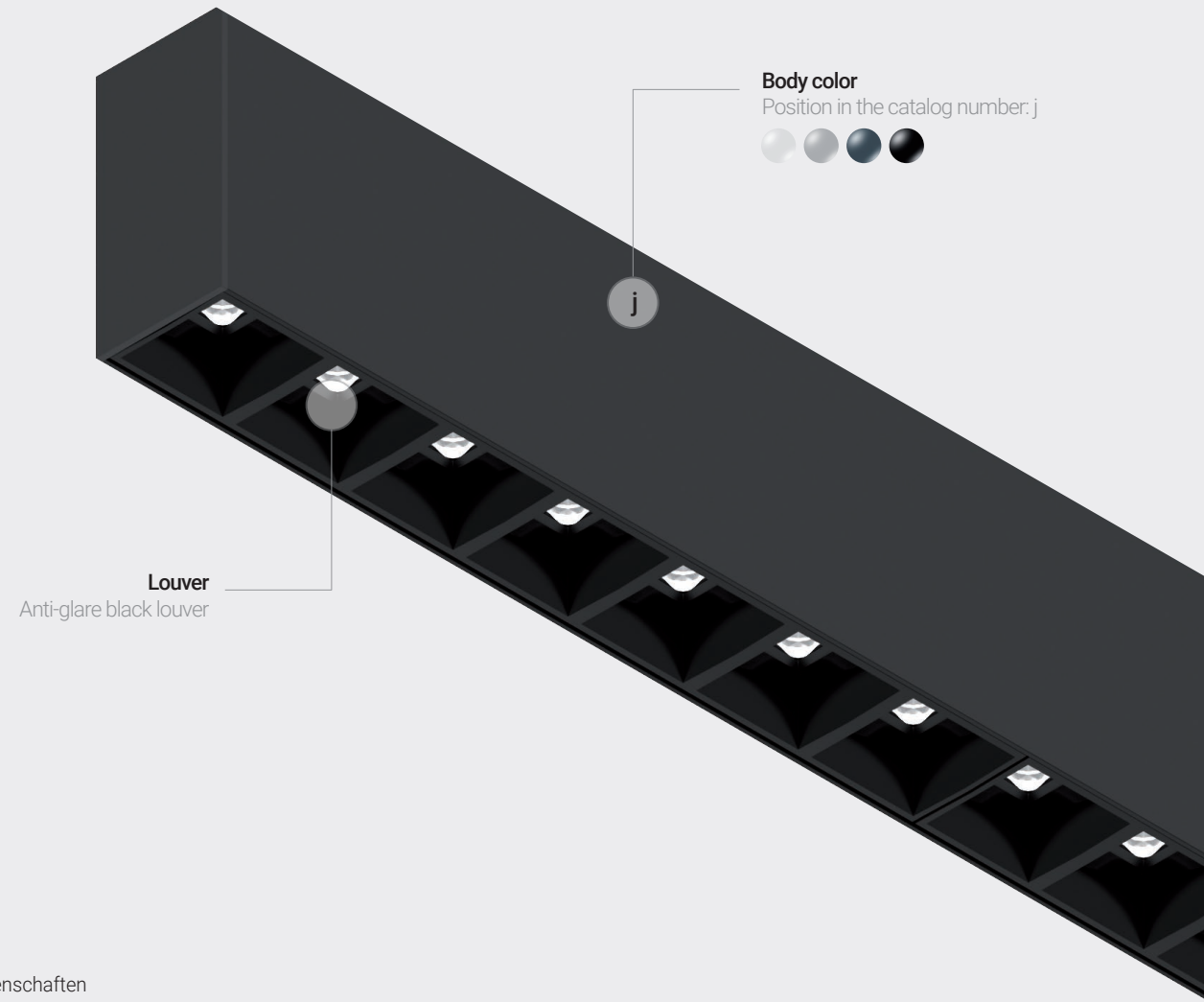
Technologie

Hochleistungsoptiken bieten eine Lichtausbeute von bis zu 145 Lm/W .



Torro

C



Cechy | Features | Eigenschaften

LED | 3000K / 4000K | CRI>80 | SDCM ≤ 3 | 50000h L80 B10 | IP20 | ON/OFF DALI | 220 - 240V 50-60HZ | | | Colours:

PL

Montaż: nabudowany.

Źródło światła: PCB LED, 3000K / 4000K, CRI> 80, MacAdam ≤ 3, 50000h L80B10.

Moc oprawy: low output (LO), high efficiency (HE), high output (HO).

Optyka: soczewka 60° z antyolśnieniowym czarnym rastrem.

Rozsył światła: bezpośredni.

Obudowa: wytłaczany profil aluminiowy malowany proszkowo.

Sterowanie: ON/OFF lub DALI.

Stopień ochrony: IP20

EN

Mounting: ceiling built-on.

Light source: PCB LED, 3000K / 4000K, CRI> 80, MacAdam ≤ 3, 50000h L80B10.

Luminaire power: low output (LO), high efficiency (HE), high output (HO).

Optic: lens 60° with anti-glare black louwer.

Light distribution: direct.

Housing: powder coated extruded aluminum profile.

Control: ON / OFF or DALI.

IP protection: IP20

DE

Installation: angebaut.

Lichtquelle: PCB LED, 3000K / 4000K, CRI> 80, MacAdam ≤ 3, 50000h L80B10.

Leuchtenleistung: low output (LO), high efficiency (HE), high output (HO).

Optik: 60° Linse mit blendfreiem schwarzem Raster.

Lichtverteilung: Direkt.

Gehäuse: Aluminium-Strangpressprofil, pulverbeschichtet.

Steuerung: EIN-AUS oder DALI.

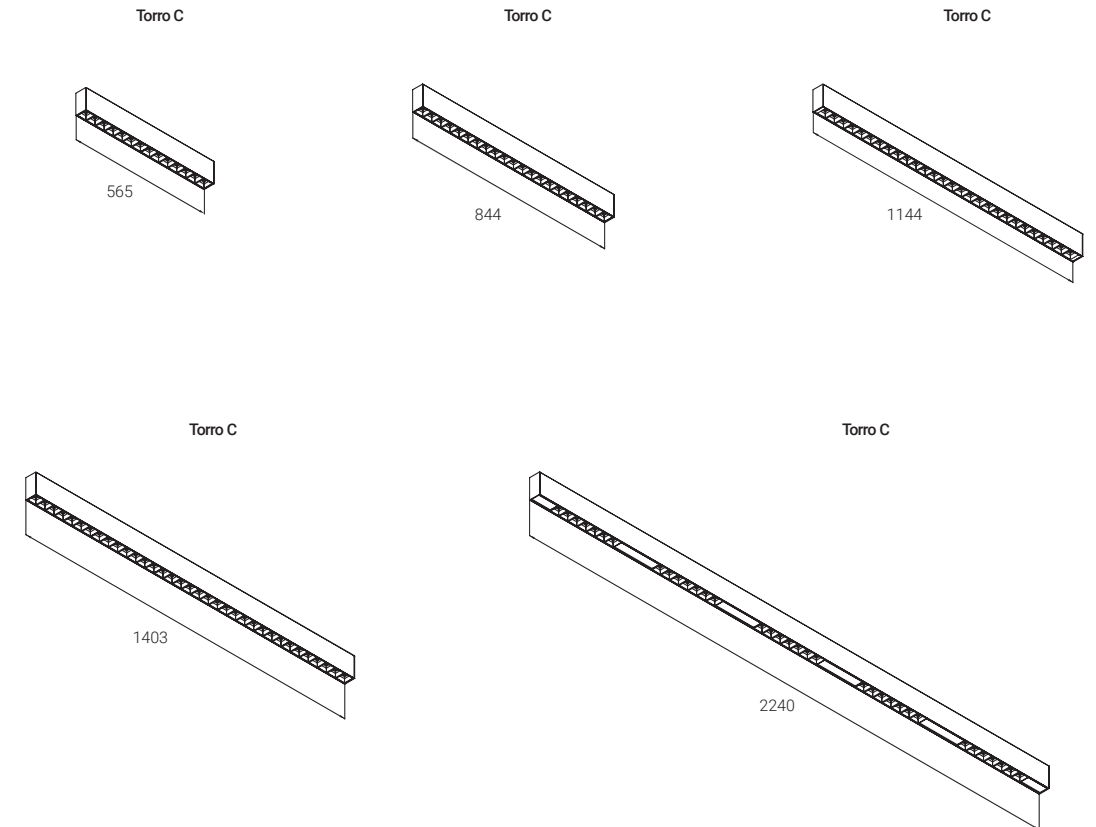
Schutzart: IP20

Torro C DIRECT



	Type	Length	Power	Luminaire flux *	Code
Version with LED CC LO (Low Output)	Torro C	565 mm	7.4 W	1036 lm	5.3101.02C1.fg5Wj0
	Torro C	844 mm	11.1 W	1554 lm	5.3101.03C1.fg5Wj0
	Torro C	1144 mm	14.7 W	2072 lm	5.3101.04C1.fg5Wj0
	Torro C	1403 mm	18.4 W	2590 lm	5.3101.05C1.fg5Wj0
	Torro C	2240 mm	18.4 W	2590 lm	5.3101.06C1.fg5Wj0
Version with LED CC HE (High Efficiency)	Torro C	565 mm	8.1 W	1176 lm	5.3101.02C1.fg6Wj0
	Torro C	844 mm	12.1 W	1764 lm	5.3101.03C1.fg6Wj0
	Torro C	1144 mm	16.1 W	2352 lm	5.3101.04C1.fg6Wj0
	Torro C	1403 mm	20.1 W	2940 lm	5.3101.05C1.fg6Wj0
	Torro C	2240 mm	20.1 W	2940 lm	5.3101.06C1.fg6Wj0
Version with LED CC HO (High Output)	Torro C	565 mm	12.2 W	1652 lm	5.3101.02C1.fg7Wj0
	Torro C	844 mm	18.3 W	2478 lm	5.3101.03C1.fg7Wj0
	Torro C	1144 mm	24.5 W	3304 lm	5.3101.04C1.fg7Wj0
	Torro C	1403 mm	30.6 W	4130 lm	5.3101.05C1.fg7Wj0
	Torro C	2240 mm	30.6 W	4130 lm	5.3101.06C1.fg7Wj0

* Strumień świetlny oprawy podany dla 4000K.
Fixture lumen output data refer to 4000K.
Lichtstrom der Leuchte spezifiziert für 4000K.



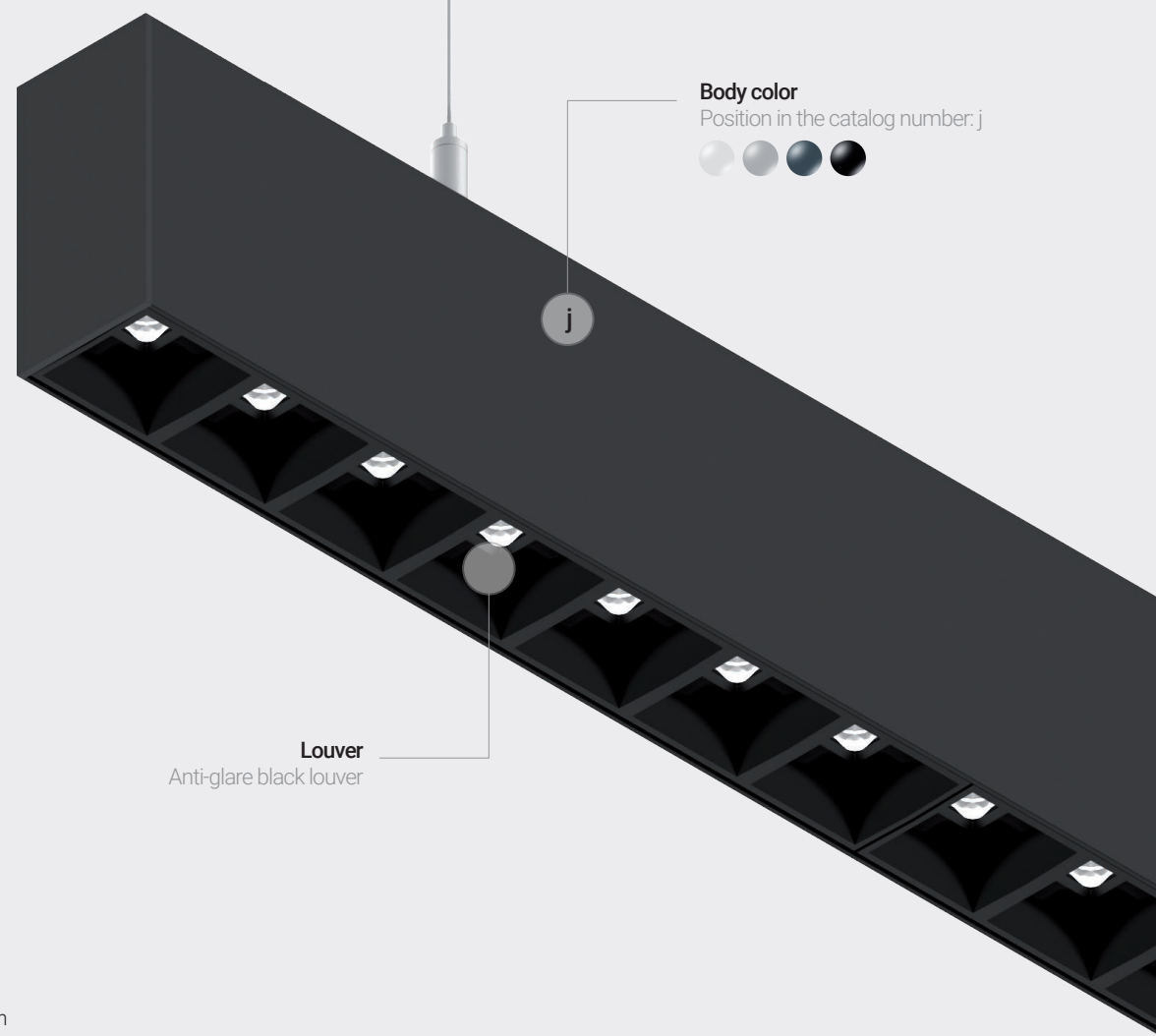
Driver	f	LED color	g	Finishing	j
ON/OFF	1	830	2	white (RAL9016)	4
DALI	2	840	3	black (RAL9005)	5
				fog (RAL7038)	G
				graphite (RAL7024)	H





Torro

S



Cechy | Features | Eigenschaften

LED | 3000K / 4000K | CRI>80 | SDCM ≤ 3 | 50000h L80 B10 | IP20 | ON/OFF DALI | 220-240V 50-60HZ | | | Colours:

PL

Montaż: zwieszany.

Źródło światła: PCB LED, 3000K / 4000K, CRI> 80, MacAdam ≤ 3, 50000h L80B10.

Moc oprawy: low output (LO), high efficiency (HE), high output (HO).

Optyka: soczewka 60° z antyolśnieniowym czarnym rastrem.

Rozsył światła: bezpośredni.

Obudowa: wytłaczany profil aluminiowy malowany proszkowo.

Sterowanie: ON/OFF lub DALI.

Stopień ochrony: IP20

EN

Mounting: suspended.

Light source: PCB LED, 3000K / 4000K, CRI> 80, MacAdam ≤ 3, 50000h L80B10.

Luminaire power: low output (LO), high efficiency (HE), high output (HO).

Optic: lens 60° with anti-glare black louver.

Light distribution: direct.

Housing: powder coated extruded aluminum profile.

Control: ON / OFF or DALI.

IP protection: IP20

DE

Installation: abgependelt.

Lichtquelle: PCB LED, 3000K / 4000K, CRI> 80, MacAdam ≤ 3, 50000h L80B10.

Leuchtenleistung: low output (LO), high efficiency (HE), high output (HO).

Optik: 60° Linse mit blendfreiem schwarzem Raster.

Lichtverteilung: Direkt.

Gehäuse: Aluminium-Strangpressprofil, pulverbeschichtet.

Steuerung: EIN-AUS oder DALI.

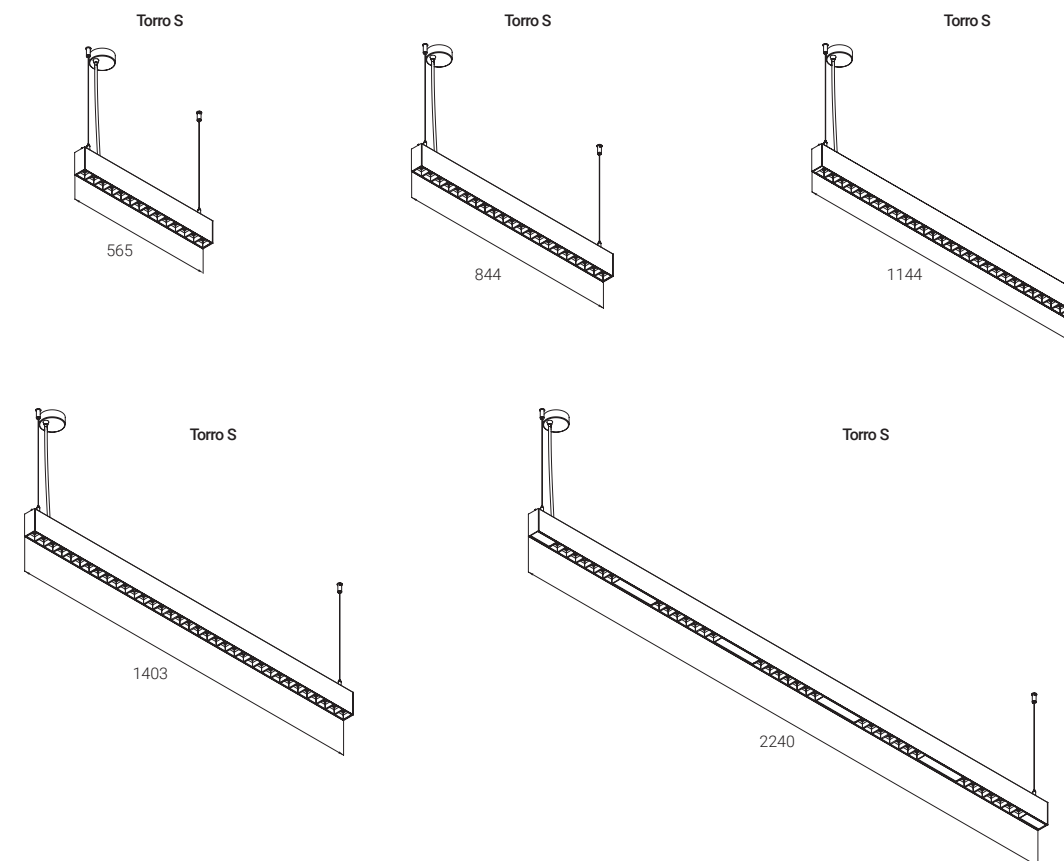
Schutzart: IP20

Torro S DIRECT



	Type	Length	Power	Luminaire flux *	Code
Version with LED CC LO (Low Output)	Torro S	565 mm	7.4 W	1036 lm	5.3102.02D1.fg5Wj0
	Torro S	844 mm	11.1 W	1554 lm	5.3102.03D1.fg5Wj0
	Torro S	1144 mm	14.7 W	2072 lm	5.3102.04D1.fg5Wj0
	Torro S	1403 mm	18.4 W	2590 lm	5.3102.05D1.fg5Wj0
	Torro S	2240 mm	18.4 W	2590 lm	5.3102.06D1.fg5Wj0
Version with LED CC HE (High Efficiency)	Torro S	565 mm	8.1 W	1176 lm	5.3102.02D1.fg6Wj0
	Torro S	844 mm	12.1 W	1764 lm	5.3102.03D1.fg6Wj0
	Torro S	1144 mm	16.1 W	2352 lm	5.3102.04D1.fg6Wj0
	Torro S	1403 mm	20.1 W	2940 lm	5.3102.05D1.fg6Wj0
	Torro S	2240 mm	20.1 W	2940 lm	5.3102.06D1.fg6Wj0
Version with LED CC HO (High Output)	Torro S	565 mm	12.2 W	1652 lm	5.3102.02D1.fg7Wj0
	Torro S	844 mm	18.3 W	2478 lm	5.3102.03D1.fg7Wj0
	Torro S	1144 mm	24.5 W	3304 lm	5.3102.04D1.fg7Wj0
	Torro S	1403 mm	30.6 W	4130 lm	5.3102.05D1.fg7Wj0
	Torro S	2240 mm	30.6 W	4130 lm	5.3102.06D1.fg7Wj0

* Strumień świetlny oprawy podany dla 4000K.
Fixture lumen output data refer to 4000K.
Lichtstrom der Leuchte spezifiziert für 4000K.



Driver	f	LED color	g	Finishing	j
ON/OFF	1	830	2	white (RAL9016)	4
DALI	2	840	3	black (RAL9005)	5
				fog (RAL7038)	G
				graphite (RAL7024)	H



Torro

S



Body color
Position in the catalog number: j



Louvers
Anti-glare black louvers

Cechy | Features | Eigenschaften

LED	3000K 4000K	CRI>80	SDCM ≤ 3	50000h L80 B10	IP20	ON/OFF DALI	220-240V 50-60HZ		
-----	----------------	--------	----------	-------------------	------	----------------	---------------------	--	--

Colours:

PL

Montaż: zwieszany.

Źródło światła: PCB LED, 3000K / 4000K, CRI> 80, MacAdam ≤ 3, 50000h L80B10.

Moc oprawy: low output (LO), high efficiency (HE), high output (HO).

Optyka: soczewka 60° z antyolśnieniowym czarnym rastrem.

Rozsył światła: bezpośredni / pośredni.

Obudowa: wytłaczany profil aluminiowy malowany proszkowo.

Sterowanie: ON/OFF lub DALI.

Stopień ochrony: IP20

EN

Mounting: suspended.

Light source: PCB LED, 3000K / 4000K, CRI> 80, MacAdam ≤ 3, 50000h L80B10.

Luminaire power: low output (LO), high efficiency (HE), high output (HO).

Optic: lens 60° with anti-glare black louvers.

Light distribution: direct / indirect.

Housing: powder coated extruded aluminum profile.

Control: ON / OFF or DALI.

IP protection: IP20

DE

Installation: abgependelt.

Lichtquelle: PCB LED, 3000K / 4000K, CRI> 80, MacAdam ≤ 3, 50000h L80B10.

Leuchtenleistung: low output (LO), high efficiency (HE), high output (HO).

Optik: 60° Linse mit blendfreiem schwarzem Raster.

Lichtverteilung: Direkt/Indirekt.

Gehäuse: Aluminium-Strangpressprofil, pulverbeschichtet.

Steuerung: EIN-AUS oder DALI.

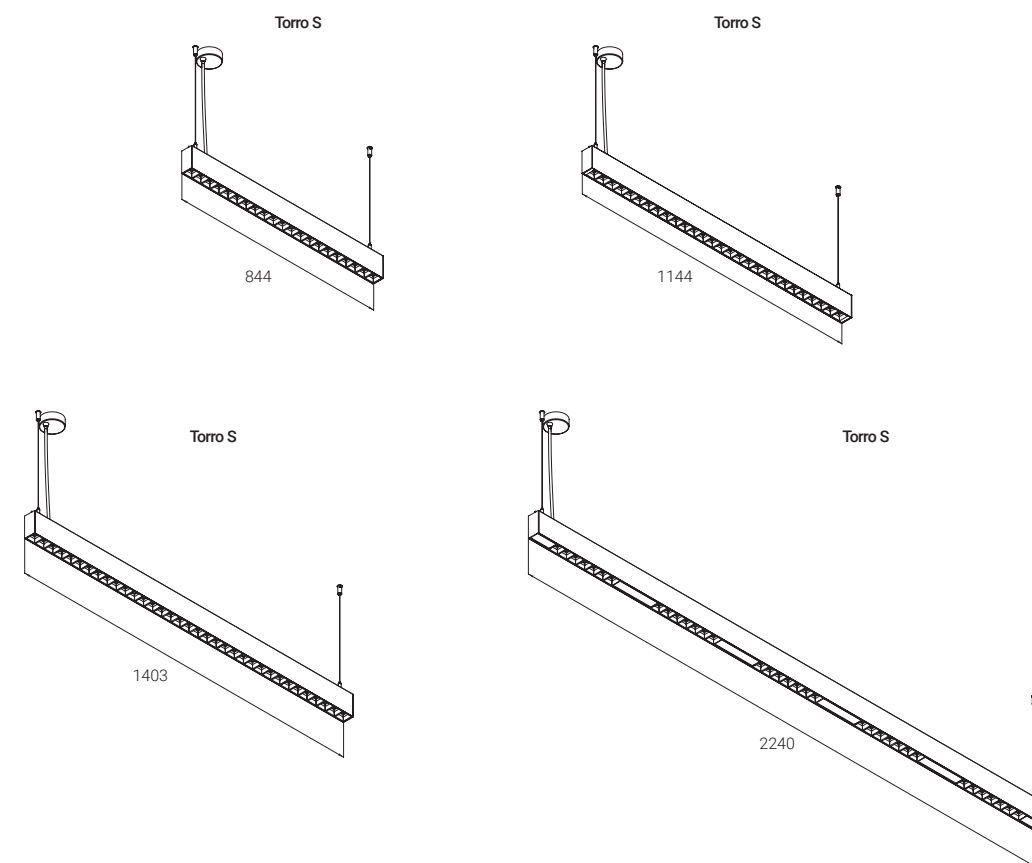
Schutzart: IP20

Torro S DIRECT/INDIRECT



	Type	Length	Power	Luminaire flux *	Code
Version with LED CC LO (Low Output)	Torro S	844 mm	11.1 + 6.2 W	1554 + 670 lm	5.3103.0311.fg5Wj0
	Torro S	1144 mm	14.7 + 8.6 W	2072 + 938 lm	5.3103.0411.fg5Wj0
	Torro S	1403 mm	18.4 + 10.5 W	2590 + 1139 lm	5.3103.0511.fg5Wj0
	Torro S	2240 mm	18.4 + 17.9 W	2590 + 1943 lm	5.3103.0611.fg5Wj0
Version with LED CC HE (High Efficiency)	Torro S	844 mm	12.1 + 6.7 W	1764 + 710 lm	5.3103.0311.fg6Wj0
	Torro S	1144 mm	16.1 + 9.4 W	2352 + 994 lm	5.3103.0411.fg6Wj0
	Torro S	1403 mm	20.1 + 11.4 W	2940 + 1207 lm	5.3103.0511.fg6Wj0
	Torro S	2240 mm	20.1 + 19.5 W	2940 + 2059 lm	5.3103.0611.fg6Wj0
Version with LED CC HO (High Output)	Torro S	844 mm	18.3 + 10.1 W	2478 + 1060 lm	5.3103.0311.fg7Wj0
	Torro S	1144 mm	24.5 + 14.1 W	3304 + 1484 lm	5.3103.0411.fg7Wj0
	Torro S	1403 mm	30.6 + 17.1 W	4130 + 1802 lm	5.3103.0511.fg7Wj0
	Torro S	2240 mm	30.6 + 29.2 W	4130 + 3074 lm	5.3103.0611.fg7Wj0

* Strumień świetlny oprawy podany dla 4000K.
Fixture lumen output data refer to 4000K.
Lichtstrom der Leuchte spezifiziert für 4000K.



Driver	f	LED color	g	Finishing	j
ON/OFF	1	830	2	white (RAL9016)	4
DALI	2	840	3	black (RAL9005)	5
				fog (RAL7038)	G
				graphite (RAL7024)	H







ORGANIC LIGHTING

ul. 1 Maja 46a
05-555 Tarczyn, Poland
tel: +48 22 736 73 00
info@organiclighting.eu



